



# ECMOC

MACHINES FOR AN ORDERLY FUTURE

## Granulators Series 500



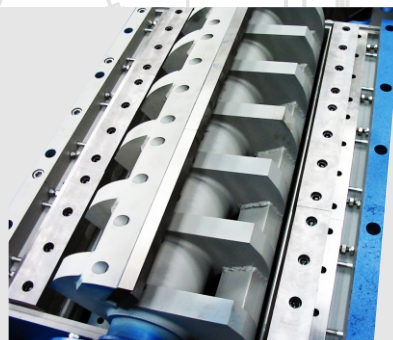
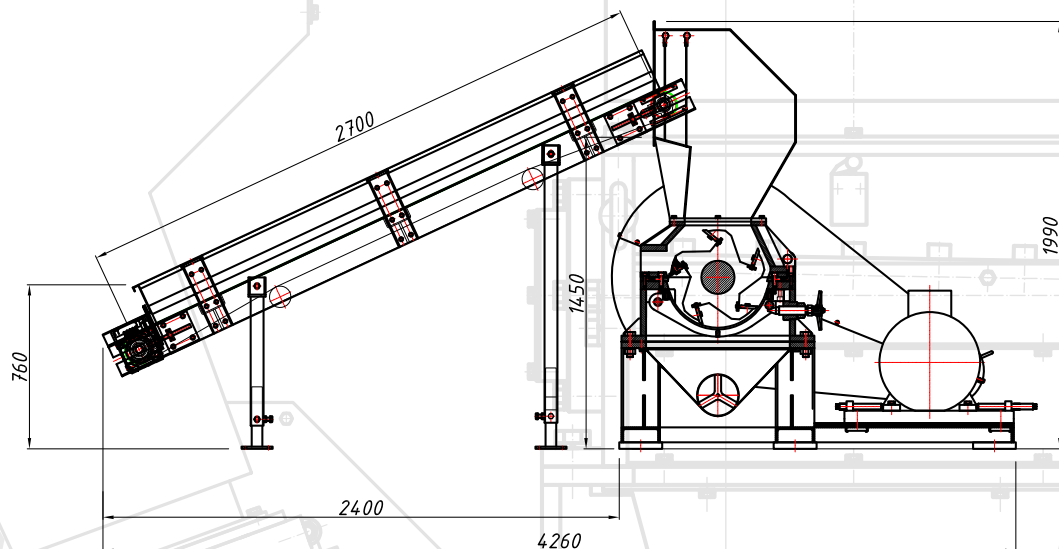
БДС EN ISO 9001:2008



ESMOS 74 Kiril and Metodiy Str. 5900 Levski, Bulgaria  
T: +359884677984 Fax: 065082317 www.esmos-ad.com E: office@esmos-ad.com

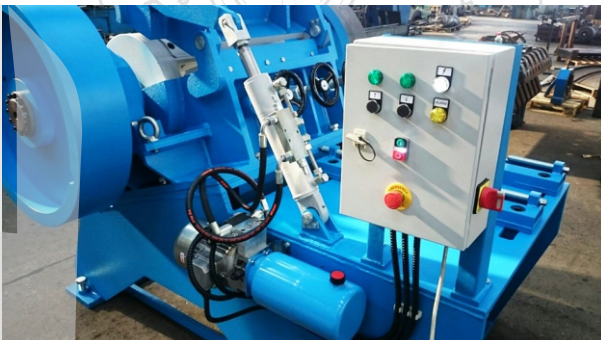
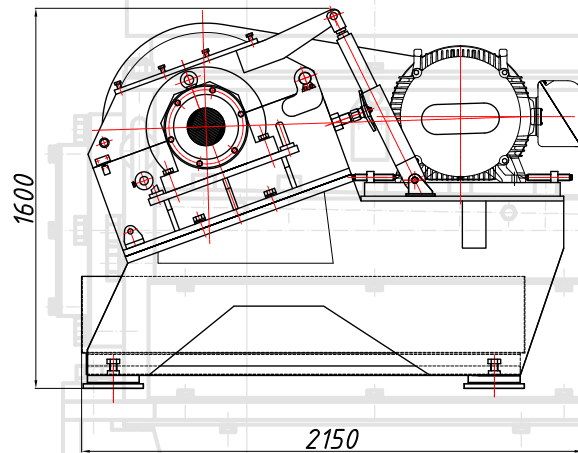
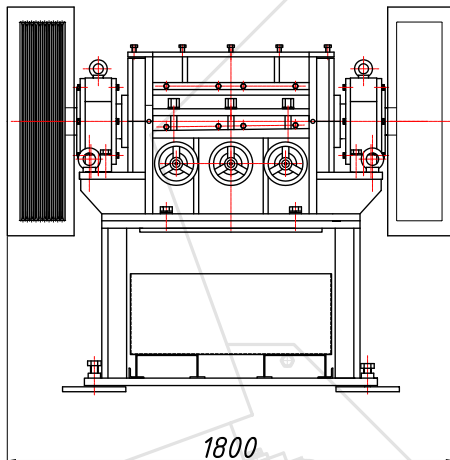
# Granulator M460/1100

Technical data	M 460 / 1100
Productivity, kg/h	600
Motor, kW	45/75
Rotor nb./ mm	460
Rotor knives	9x360
Stator	Two rows
Stator knives, pcs. mm	6x360
Screen holes, mm	from 4 mm - 80 mm
Length, mm	2040
Height, mm	1990
Width, mm	2000
Weight, kg	4100
Bearings	FAG or SKF or ZKL
Manufacturing time, weeks	8\10



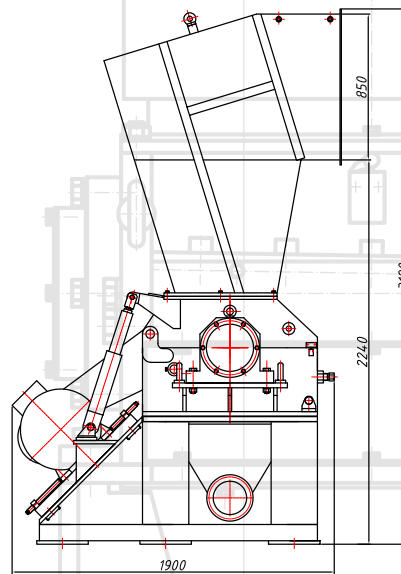
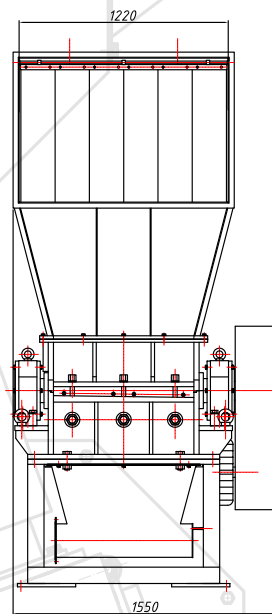
# Granulator M500/620

Technical data	M 500 / 620
Productivity, kg/h	600
Motor, kW	110
Rotor nb./ mm	500
Rotor knives	3x600
Stator	three rows
Stator knives, pcs. mm	6x300
Screen holes, mm	16 mm - 25 mm
Length, mm	2150
Height, mm	1600
Width, mm	1800
Weight, kg	2300
Bearings	FAG or SKF or ZKL
Manufacturing time, weeks	10\12



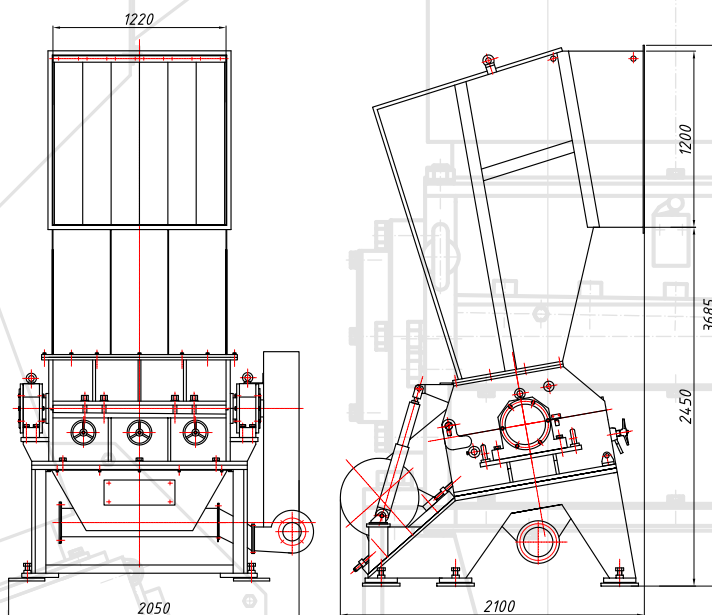
# Granulator M500/800

Technical data	M 500 / 800
Productivity, kg/h	1000
Motor, kW	37/75
Rotor nb./ mm	500
Rotor knives	6x400
Stator	Two rows
Stator knives, pcs. mm	4 x 400
Screen holes, mm	from 4 mm - 80 mm
Length, mm	1900
Height, mm	3120
Width, mm	1550
Weight, kg	4100
Bearings	FAG or SKF or ZKL
Manufacturing time, weeks	8\10



# Granulator M600/1200

Technical data	M 600 / 1200
Productivity, kg/h	1600
Motor, kW	75/132
Rotor nb./ mm	600
Rotor knives	6x600
Stator	Two rows
Stator knives, pcs. mm	6x530
Screen holes, mm	from 4 mm - 80 mm
Lenght, mm	2050
Height, mm	3685
Width, mm	2100
Weight, kg	7600
Bearings	FAG or SKF or ZKL
Manufacturing time, weeks	12\14





Contact us

ESMOS Ltd.

74 Krili and Metodiy Str.  
5900 Levski,  
Bulgaria

T: +359884677984

E: [office@esmos-ad.com](mailto:office@esmos-ad.com)

F: 065082317